

Barron[®]
Cornea Transplant Products



Barron Donor Cornea Punch® (*with and without vacuum*)

The Barron Donor Cornea Punch® is recognized globally as the industry standard in cornea transplant surgery. The original non-vacuum donor punch is still available for surgeons who do not use vacuum for tissue fixation. It encompasses all the features of the vacuum punch, without the vacuum tissue fixation.

Blade design

- Created from a solid rod of stainless steel
 - Seamless blade for a uniform, clean cut
- Micro-honed for a superior cutting edge and a sharper cut
- Thin blade wall
- Advanced blade finishing

Tissue visualization

- Features an “open top” design
 - Improves tissue visualization prior to cutting

Size confirmation

- Marked with the diameter of the blade on the top and sides of the punch

Available punch diameters

- 6.00 – 9.5mm diameters

Vacuum seating (*Vacuum Donor Punches only*)

- Immobilizes tissue for a more perpendicular cut

Punch supplied as/with

- Sterile; single-use disposable
 - Packaged fully assembled and ready for use
 - Gentian violet marking pen at no additional cost

Optimal intended use

- Surgeon self-preparation of donor corneal tissue
- Eye Bank preparation of donor corneal tissue



Vacuum Punches

K20-2100	6.00mm	K20-2108	8.00mm
K20-2102	6.50mm	K20-2109	8.25mm
K20-2103	6.75mm	K20-2110	8.50mm
K20-2104	7.00mm	K20-2111	8.75mm
K20-2105	7.25mm	K20-2112	9.00mm
K20-2106	7.50mm	K20-2113	9.25mm
K20-2107	7.75mm	K20-2114	9.50mm

Non-vacuum Punches

K20-2070	6.00mm	K20-2078	8.00mm
K20-2072	6.50mm	K20-2079	8.25mm
K20-2073	6.75mm	K20-2080	8.50mm
K20-2074	7.00mm	K20-2081	8.75mm
K20-2075	7.25mm	K20-2082	9.00mm
K20-2076	7.50mm	K20-2083	9.25mm
K20-2077	7.75mm	K20-2084	9.50mm

Barron Radial Vacuum Trepine®

The Barron Radial Vacuum Trepine® is used for cutting the transplant recipient's cornea tissue. Recognized as the global standard in recipient trephines, the Barron Radial Vacuum Trepine® may be paired with the Barron Vacuum Donor Punch® for consistency of sizing and quality of cut.

Blade design

- Created from a solid rod of stainless steel
 - Seamless blade for a uniform, clean cut
 - Micro-honed for a superior cutting edge and a sharper cut

Vacuum chamber

- 360° suction chamber
 - 16 radial, symmetric divisions
 - Reduces cornea aspiration and graft distortion

Marking and visual alignment

- 16 radial indentations symmetrically mark the recipient bed for accurate alignment of sutures
 - Helps avoid surgically induced astigmatism
 - Divisions may be inked with a sterile marking pen to be clearly visible
- Fine cross hairs are provided
 - To assist in aligning with a pre-inked central corneal landmark

Calibrated cut

- Rotating mechanism advances the blade depth 0.25mm with each 360° rotation

Available trephine diameters

- 6.00 – 9.00mm diameters

Vacuum seating

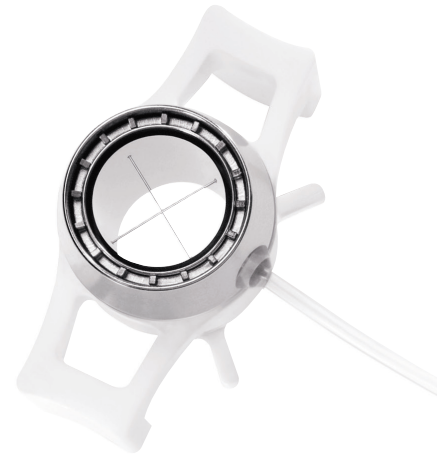
- Securely holds the trephine in place for an optimal perpendicular cut

Trepine supplied as/with

- Sterile; single-use disposable
- Packaged fully assembled and ready for use
- Gentian violet marking pen at no additional cost

Optimal intended use

- Anterior lamellar or penetrating keratoplasty



Vacuum Trephines

K20-2050	6.00mm	K20-2058	8.00mm
K20-2052	6.50mm	K20-2059	8.25mm
K20-2054	7.00mm	K20-2060	8.50mm
K20-2055	7.25mm	K20-2061	8.75mm
K20-2056	7.50mm	K20-2062	9.00mm
K20-2057	7.75mm		

Barron Artificial Anterior Chamber®

The first sterile disposable artificial anterior chamber

Ideally suited for surgeons who prefer to cut their own tissue, the Artificial Anterior Chamber can be used with the Radial Vacuum Trepine to create a more precise cut of the donor tissue by cutting the cornea from the epithelial side. This more closely approximates the angle of cut obtained with the Barron Trepine in the recipient cornea, minimizing surgically induced astigmatism; creating the best donor tissue to recipient bed match.

Designed to securely hold a 14-18mm cornea graft, including scleral rim

Two ports with pinch clamps for infusing viscoelastic, BSS, or air

Bright blue color provides a contrasting background for visualizing the cornea

Ideal option for

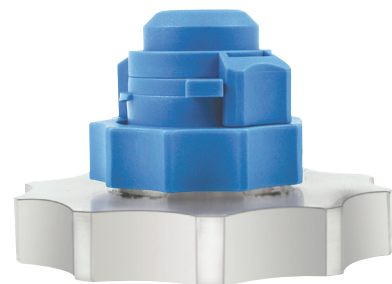
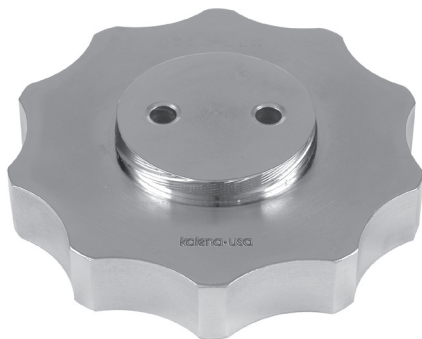
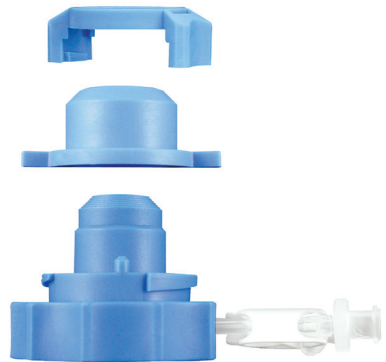
- Lamellar or penetrating keratoplasty or laser dissection
- Not compatible with a mechanical microkeratome

Item #: K20-2125

Stainless steel base

A heavy stainless steel base to stabilize the artificial anterior chamber during use is available. The base is reusable and autoclavable.

Item #: K20-2126



Barron Corneal Transplant Products are CE mark authorized

Order Online: corzaeye.com

Order by Phone: 800-225-1195

For more information, visit corzaeye.com



Corza Ophthalmology (Katena Products Inc.), 6 Campus Drive, Suite 310, Parsippany, NJ 07054, USA
Phone: 973.989.1600, Toll free (USA only): 800.225.1195, Fax: 973.989.8175

All trademarks are owned by the company and its affiliates. ©2022 Corza Medical
All Rights Reserved. KI-CAT-05282020-Rev4